

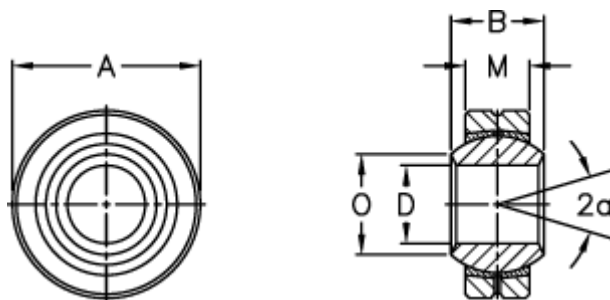
Data Sheet



Article number: 03400010

Description: Fluro Rod end GL 10

Measures



A	= 26	Static load C0 (kN) = 30
a (degrees)	= 13	Weight = 38
B	= 14	
D	= 10	
Dynamic load C (kN)	= 7.5	
M	= 10.5	
O	= 12.9	
Permissible rpm	= 500	